

7-075 Safety Quarter-Turn Pr20.1 L18

Tool operable, IP65, Stainless Steel, Vibration resistant



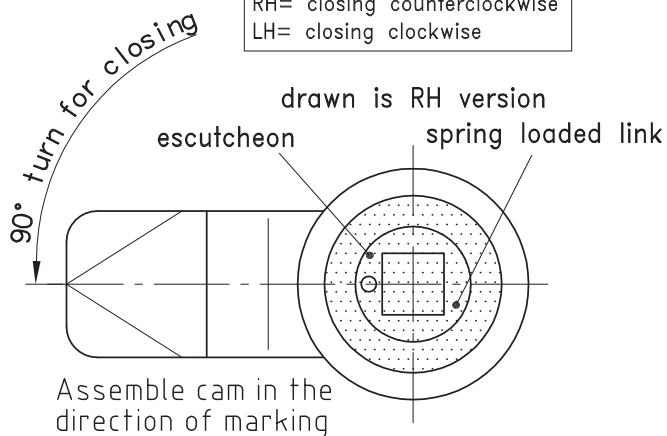
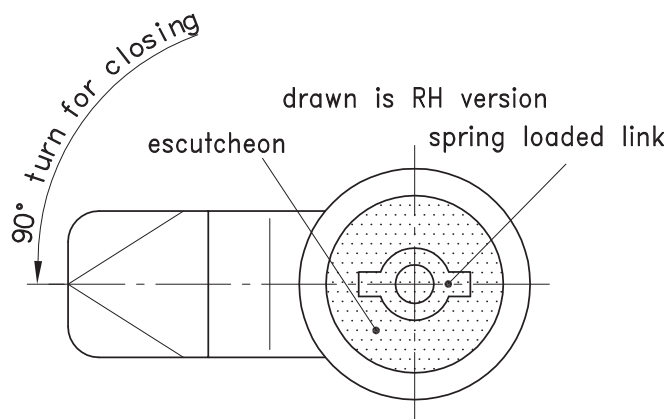
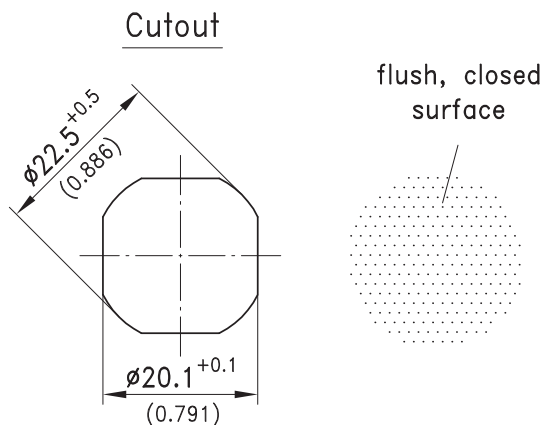
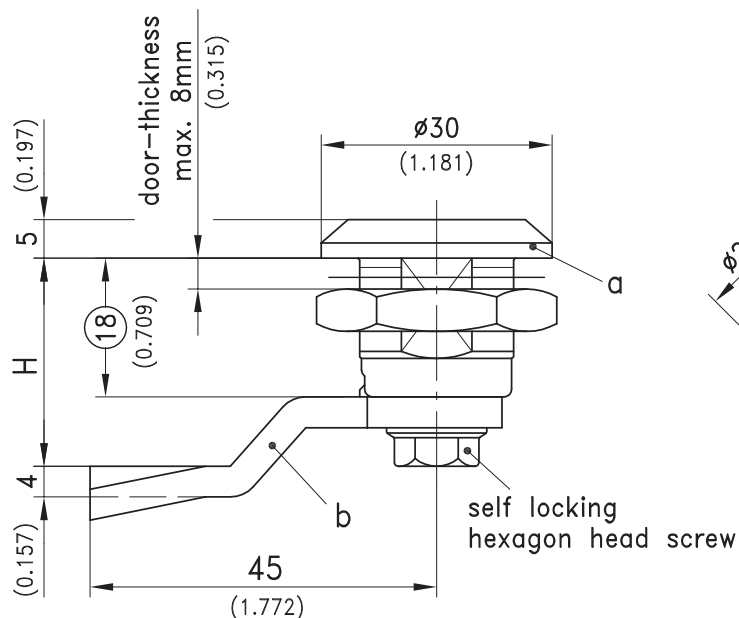
Product Notes:

- With the double bit versions, key is captive in the open position conforming to DIN 43668
- Water and dust tight according to IP65, DIN EN 60529
- Flush external surface
- RH and LH versions available
- Vibration resistant

- Zinc die - see Product System 1-085 and 1-085.01
- Tool-less installation - see Product System 1-085SL
- Other stainless steel - see Product System 7-074

Material:

- **Housing, insert, escutcheon, spring loaded link and pin:** Stainless Steel AISI 316
- **Cam:** Stainless Steel AISI 304



RH= closing counterclockwise
LH= closing clockwise

a) Quarter-Turn is completely assembled and sealed (IP65) without cam

Insert		Part No.	See Page
Double bit 5mm pin	RH*	255-9409	
Double bit 5mm pin	LH	255-9410	
Square 7mm	RH / LH	255-9402	
Square 8mm	RH / LH	255-9403	
Triangular 8mm	RH / LH	255-9405	

b) Cam Stainless Steel (on request parts can be assembled)

01.24

b1) Special cams

01.102

Optional:

c) Assembling of cam

200-0001

*as drawn